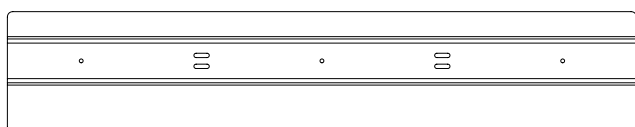
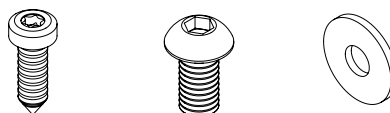


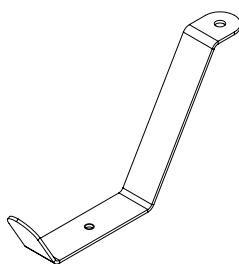
PARTS



1 x Felt cable tray

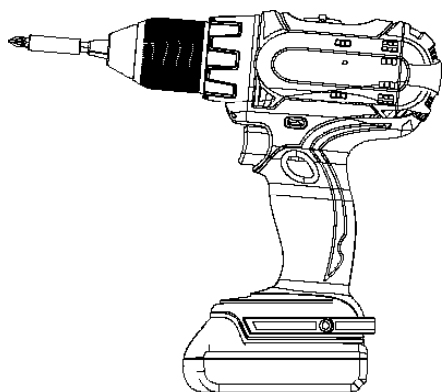


3x screws /washers for 115 cm and 147 cm // 2x screws / washers for 74 cm cable tray

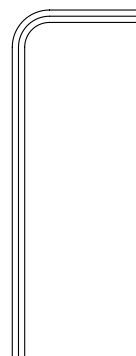


3x brackets for 115 cm and 147 cm // 2x brackets for 74 cm cable tray

WHAT YOU WILL NEED



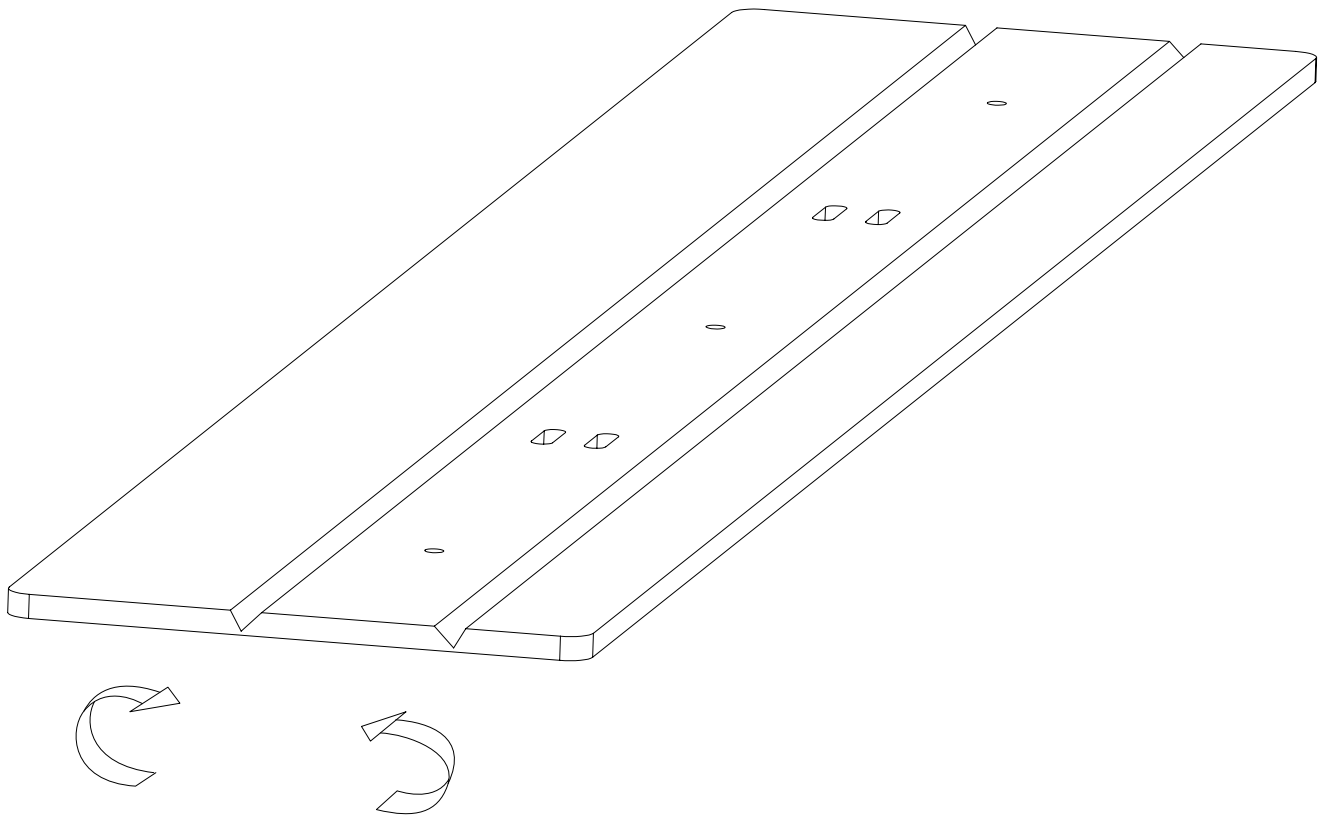
A drill



1 x ALLEN WRENCH

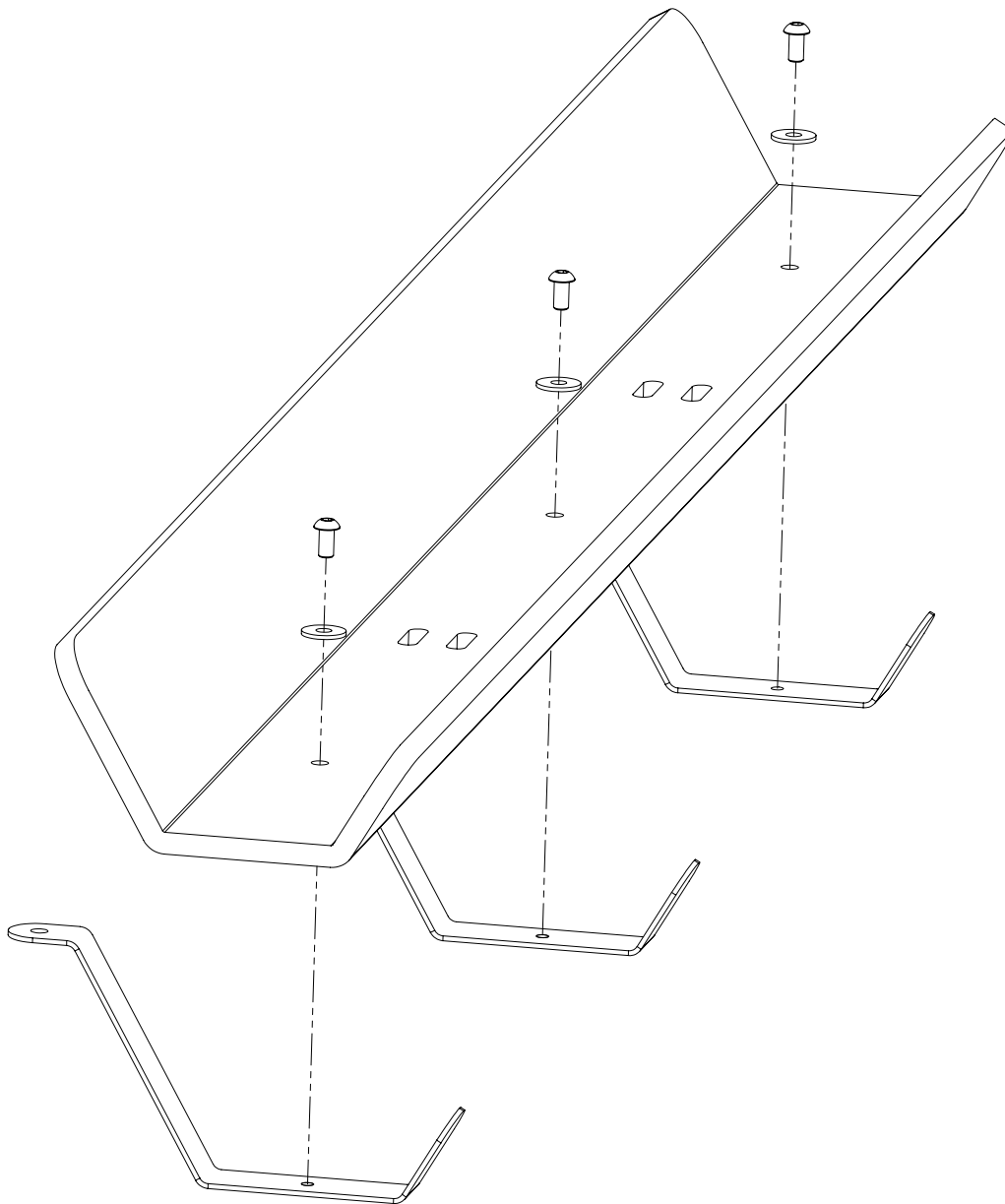
STEP 1

Fold the felt



STEP 2

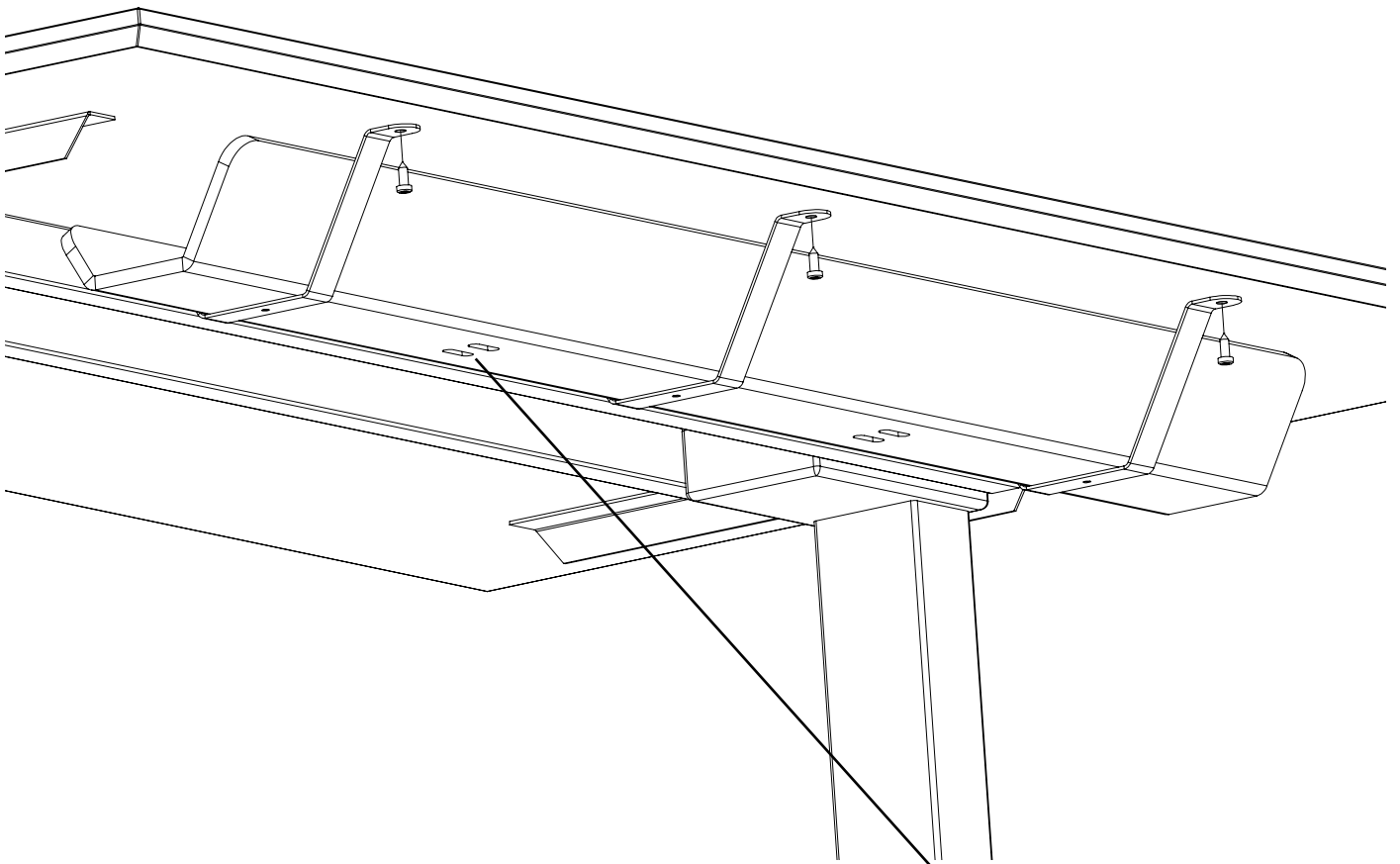
Fasten the brackets to the cable tray as shown below.



If the length of
your cable tray
is 74 cm there are
only 2 brackets

STEP 3

Fasten the cable tray to the center of your table.



Fasten cables
with cables ties
through the holes
in the bottom.